

NEW

COMPACT PANNER with Tray Feeder

- The new affordable "Compact Panner" has a built-in Underneath Conveyor which indexes trays and receives products from Rheon encrusting machines (single head) and lines them up evenly.
- All pick up has been automated, so product shape remains intact and production is very sanitary.
- The Compact Panner can memorize up to five panning patterns and operation is very simple with a single switch production changeover.
- Tray feeding can also be automated by connecting the "Tray Feeder."

**EASY OPERATION AND MAINTENANCE.
REDUCE LABOR COSTS AND INCREASE PRODUCTIVITY!**



Tray Feeder

Feeds trays automatically.
Ten trays can be stored at
one time.



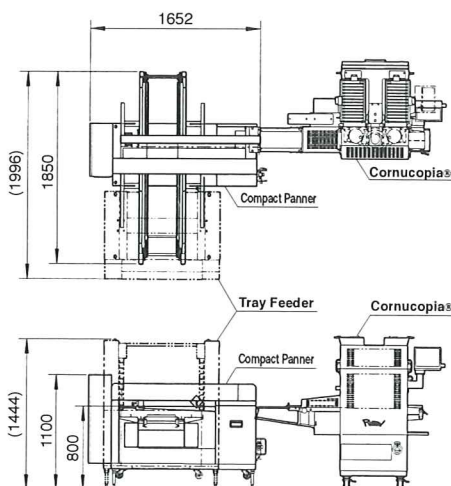
Tray Feeder



Compact Panner

Dimensions

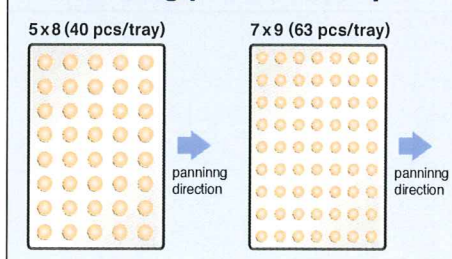
(Unit : mm)



Panning Specifications

Tray Size (Range)	580 ~ 800 mm X 400 ~ 600 mm
Tray Size Height (Max)	35 mm
Panner Work (Max)	8 times/min.

Panning pattern example



※ Trays move 90 degrees to the right to product flow direction on the standard model.
Please contact Rheon for the opposite direction model.

Specifications

Total Length	1652 mm
Total Width	1850 mm (1996 mm)
Total Height	1435 mm (1444 mm)
Weight	290 kg
Belt Width	75 mm or 150 mm
Electrical Capacity	0.49 kW (0.59kW)
Power Source	3phases 220V, 3phases 380V, 3phases 415V
Air	0.4 MPa, 2 Nl/min.

※ Numbers in () includes Tray Feeder.

The specifications are subject to change without notice and without obligation.
All Rights Reserved. Reproduction, adaptation or translation without prior written permission is prohibited.

RHEON AUTOMATIC MACHINERY CO., LTD.

Head Office: 2-3 Nozawa-machi, Utsunomiya 320-0071, Japan
Phone: 028-665-1111 Fax: 028-666-1013 E-mail: info@rheon.com

RHEON U.S.A.

9490 Toledo Way, Irvine, CA 92618, U.S.A.
Phone: 949-768-1900 Fax: 949-855-1991 E-mail: us.info@rheon.com

RHEON U.S.A. NJ BRANCH

375 North Street, Unit K, Teterboro, NJ 07608, U.S.A.
Phone: 201-487-0600 Fax: 201-487-0610 E-mail: us.east@rheon.com
URL: http://www.rheon.com

RHEON AUTOMATIC MACHINERY GmbH

Tiefenbroicher Weg 30, 40472 Düsseldorf, F.R.Germany
Phone: 0211-471950 Fax: 0211-424129 E-mail: de.info@rheon.com

RHEON AUTOMATIC MACHINERY CO., LTD. TAIPEI BRANCH

3F, No.180, Sinhu 2nd Rd, Neihu District, Taipei 114 Taiwan, R.O.C.
Phone: 02-8791-2227 Fax: 02-8791-1295 E-mail: tw.info@rheon.com